

Aurore DUMANCIC

25yo 2nd year PhD Student
CEA-Irfu France (Saclay)

Particles accelerator
Protons source
Diagnostic
Emittance meter

A brief career history...

2y technical diploma in
Physics measurement

➤ CEA internship (Diagnostics)

Engineer School in Mechatronics

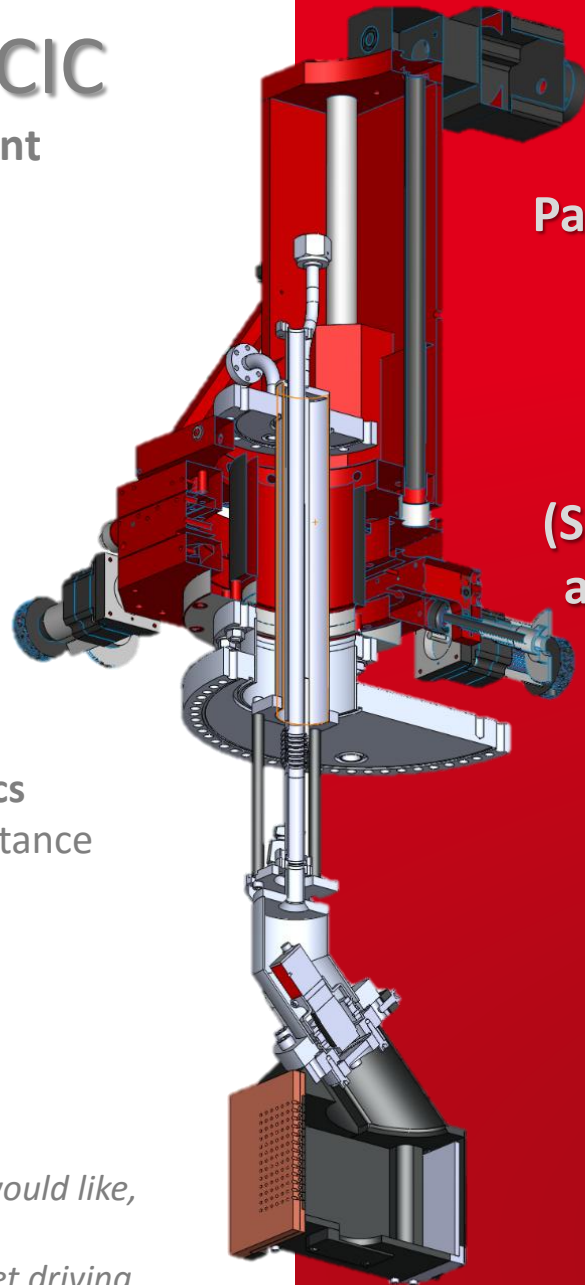
➤ CEA half time work (4D emittance meter and diagnostics)

PhD in Accelerator Physics

➤ CEA full time work
(4D emittance meter)

If you can help me :

- *I'm not as fluent in English as I would like, especially speaking.*
- *I've started lessons in order to get driving license. I need to train at starts*



Particles simulation
(TraceWin)

CAD
(SolidWorks
and Catia)

Hydraulics

Physics Particles

Control and monitoring
program (LabView)

Thermomechanics
study (Comsol)

Mechanics

Books Travel
Sewing Gym
Film TVserie



Trekking
Running
Mosquitoes