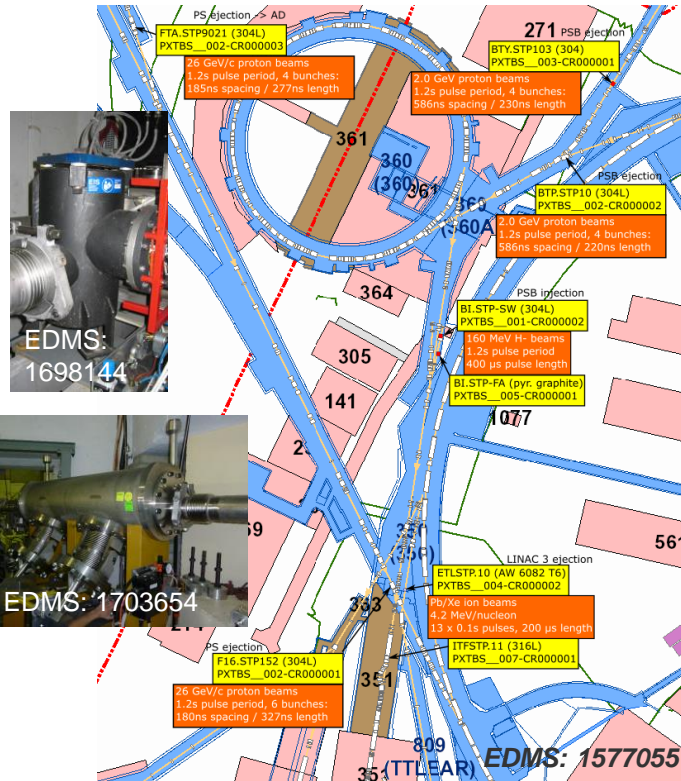
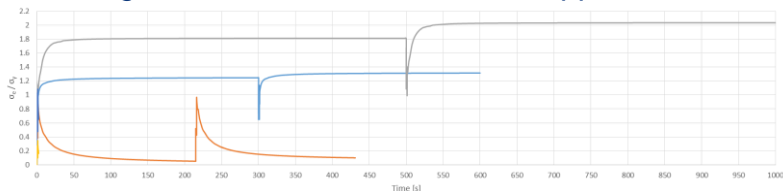


# #PS beam-stoppers #SPS scrapers #CHARM assemblies (André Pilan Zanoni)



EDMS: 1577055

Design assessment of PS beam stoppers for LIU



Thermo-structural analysis of their performance

Manufacturing and purchase of spare parts

EDMS: 1577622



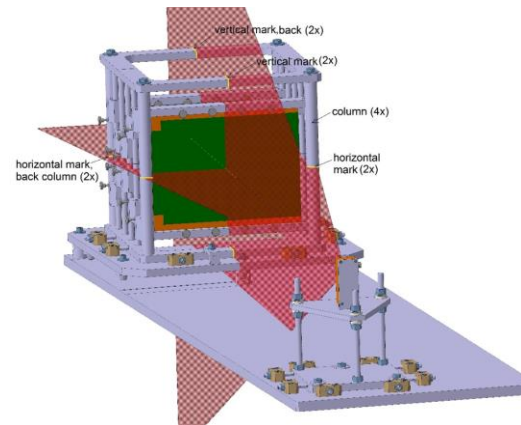
Assemblage and cabling of spare scraper modules



CCD: SPSBSHV\_001

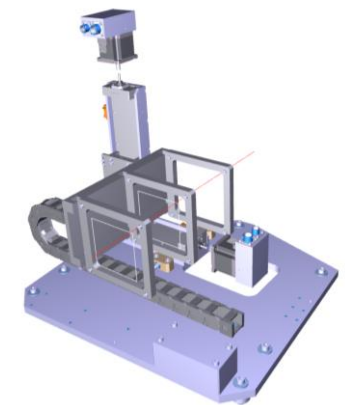
New version of SPS scraper

## CHARM (East hall): Design, validation and assemblage of devices



Laser table for aligning PBC outside radiative areas

CCD: PS\_HTMCA0001  
EDMS: 1572063



XZ table: moves card during beam hit

CCD: PS\_TMCS\_0160  
EDMS: 1572100